

# USB-1608FS-Plus

Analog Input and Digital I/O

## User's Guide

Your new Measurement Computing product comes with a fantastic extra —

## Management committed to your satisfaction!

Thank you for choosing a Measurement Computing product—and congratulations! You own the finest, and you can now enjoy the protection of the most comprehensive warranties and unmatched phone tech support. It's the embodiment of our mission:

- To provide data acquisition hardware and software that will save time and save money.

Simple installations minimize the time between setting up your system and actually making measurements. We offer quick and simple access to outstanding live FREE technical support to help integrate MCC products into a DAQ system.

**Limited Lifetime Warranty:** Most MCC products are covered by a limited lifetime warranty against defects in materials or workmanship for the life of the product, to the original purchaser, unless otherwise noted. Any products found to be defective in material or workmanship will be repaired, replaced with same or similar device, or refunded at MCC's discretion. For specific information, please refer to the terms and conditions of sale.

**Harsh Environment Program:** Any Measurement Computing product that is damaged due to misuse, or any reason, may be eligible for replacement with the same or similar device for 50% of the current list price. I/O boards face some harsh environments, some harsher than the boards are designed to withstand. Contact MCC to determine your product's eligibility for this program.

**30 Day Money-Back Guarantee:** Any Measurement Computing Corporation product may be returned within 30 days of purchase for a full refund of the price paid for the product being returned. If you are not satisfied, or chose the wrong product by mistake, you do not have to keep it.

*These warranties are in lieu of all other warranties, expressed or implied, including any implied warranty of merchantability or fitness for a particular application. The remedies provided herein are the buyer's sole and exclusive remedies. Neither Measurement Computing Corporation, nor its employees shall be liable for any direct or indirect, special, incidental or consequential damage arising from the use of its products, even if Measurement Computing Corporation has been notified in advance of the possibility of such damages.*

### Trademark and Copyright Information

Measurement Computing Corporation, InstaCal, Universal Library, and the Measurement Computing logo are either trademarks or registered trademarks of Measurement Computing Corporation. Refer to the Copyrights & Trademarks section on [mccdaq.com/legal](http://mccdaq.com/legal) for more information about Measurement Computing trademarks. Other product and company names mentioned herein are trademarks or trade names of their respective companies.

© 2014 Measurement Computing Corporation. All rights reserved. No part of this publication may be reproduced, stored in a retrieval system, or transmitted, in any form by any means, electronic, mechanical, by photocopying, recording, or otherwise without the prior written permission of Measurement Computing Corporation.

### Notice

Measurement Computing Corporation does not authorize any Measurement Computing Corporation product for use in life support systems and/or devices without prior written consent from Measurement Computing Corporation. Life support devices/systems are devices or systems that, a) are intended for surgical implantation into the body, or b) support or sustain life and whose failure to perform can be reasonably expected to result in injury. Measurement Computing Corporation products are not designed with the components required, and are not subject to the testing required to ensure a level of reliability suitable for the treatment and diagnosis of people.

---

# Table of Contents

**Preface**

<b>About this User's Guide .....</b>	<b>5</b>
What you will learn from this user's guide .....	5
Conventions in this user's guide .....	5
Where to find more information .....	5

**Chapter 1**

<b>Introducing the USB-1608FS-Plus.....</b>	<b>6</b>
Functional block diagram .....	6

**Chapter 2**

<b>Installing the USB-1608FS-Plus.....</b>	<b>7</b>
What comes with your shipment?.....	7
Hardware .....	7
Software.....	7
Documentation.....	7
Unpacking.....	7
Installing the software .....	7
Installing the hardware .....	7
Calibrating the hardware.....	8

**Chapter 3**

<b>Functional Details .....</b>	<b>9</b>
Analog input modes .....	9
Software paced.....	9
Hardware paced .....	9
BURSTIO .....	9
External components .....	10
USB connector.....	10
LED .....	10
Screw terminals.....	10
Signal connections.....	11
Analog input .....	11
Channel-Gain queue .....	11
Digital I/O.....	12
Pull-up/down configuration .....	12
Counter input .....	13
SYNC I/O .....	13
Trigger input.....	13
Reserved .....	13
Ground.....	13
Power output.....	13
Accuracy.....	13
Synchronized operations.....	15
Mechanical drawings.....	16

**Chapter 4**

<b>Specifications .....</b>	<b>17</b>
Analog input .....	17
Accuracy.....	17
Analog input DC voltage measurement accuracy .....	17
Noise performance.....	18
Digital input/output.....	18
External trigger.....	19

External clock input/output.....19  
Counter section .....20  
Memory .....20  
Microcontroller.....20  
Power .....21  
General .....21  
Environmental .....21  
Mechanical .....21  
Screw terminal connector and pinout .....22  
**Declaration of Conformity.....23**

---

## About this User's Guide

### What you will learn from this user's guide

This user's guide describes the Measurement Computing USB-1608FS-Plus data acquisition device and lists device specifications.

### Conventions in this user's guide

**For more information**

Text presented in a box signifies additional information and helpful hints related to the subject matter you are reading.

**Caution!** Shaded caution statements present information to help you avoid injuring yourself and others, damaging your hardware, or losing your data.

**bold text**     **Bold** text is used for the names of objects on a screen, such as buttons, text boxes, and check boxes.

*italic text*     *Italic* text is used for the names of manuals and help topic titles, and to emphasize a word or phrase.

### Where to find more information

Additional information about the USB-1608FS-Plus is available on our website at [www.mccdaq.com](http://www.mccdaq.com). You can also contact Measurement Computing Corporation by phone, fax, or email with specific questions.

- Knowledgebase: [kb.mccdaq.com](http://kb.mccdaq.com)
- Tech support form: [www.mccdaq.com/support/support\\_form.aspx](http://www.mccdaq.com/support/support_form.aspx)
- Email: [techsupport@mccdaq.com](mailto:techsupport@mccdaq.com)
- Phone: 508-946-5100 and follow the instructions for reaching Tech Support

For international customers, contact your local distributor. Refer to the International Distributors section on our web site at [www.mccdaq.com/International](http://www.mccdaq.com/International).

**Chapter 1****Introducing the USB-1608FS-Plus**

The USB-1608FS-Plus is an analog input and digital I/O data acquisition device providing the following features:

- Eight 16-bit single-ended (SE) analog input channels  
Each input channel has a dedicated A/D converter for simultaneous sampling.  
Software-selectable analog input ranges of  $\pm 10$  V,  $\pm 5$  V,  $\pm 2$  V, and  $\pm 1$  V
- Eight individually configurable digital I/O channels
- One 32-bit event counter
- One external digital trigger input
- Bidirectional external clock for synchronous operation with more than one device.
- Screw terminals for field wiring connections

The device is powered by the +5V USB supply from the computer, requiring no external power.

The USB-1608FS-Plus is compatible with both USB 1.1 and USB 2.0 ports. The speed of the device may be limited when using a USB 1.1 port due to the difference in transfer rates on the USB 1.1 versions of the protocol (low-speed and full-speed).

**Functional block diagram**

USB-1608FS-Plus functions are illustrated in the block diagram shown here.

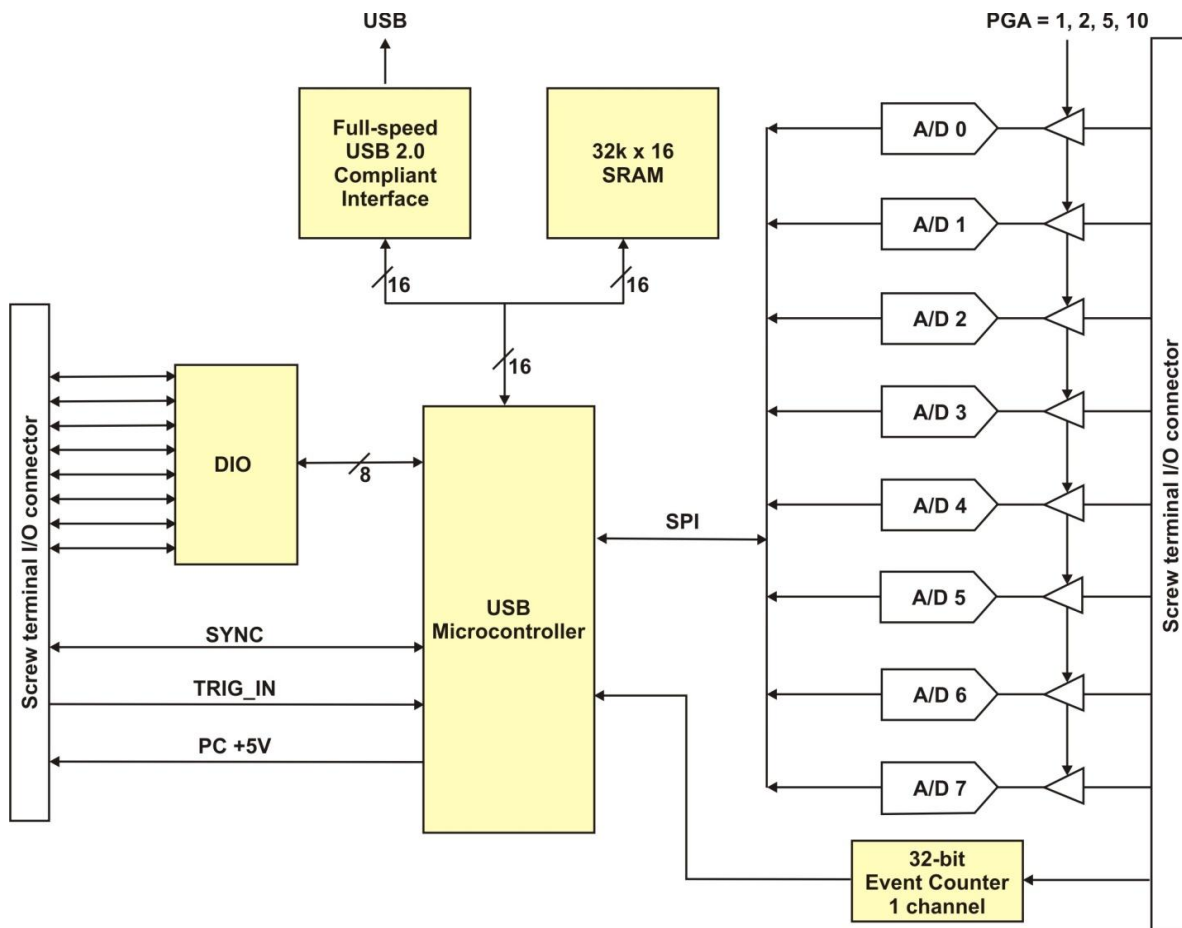


Figure 1. Functional block diagram

---

## Installing the USB-1608FS-Plus

### What comes with your shipment?

Verify that the following hardware components are included in the shipment:

#### Hardware

- USB-1608FS-Plus
- USB cable

#### Software

MCC DAQ CD

#### Documentation

- MCC DAQ Quick Start  
The MCC DAQ Quick Start booklet provides an overview of the MCC DAQ software you received with the device, and includes information about installing the software. Please read this booklet completely before installing any software or hardware.
- DAQami Quick Start  
The DAQami Quick Start insert provides information about the DAQami advanced data logging application, including a quick start procedure and quick reference guide.

### Unpacking

As with any electronic device, you should take care while handling to avoid damage from static electricity. Before removing the device from its packaging, ground yourself using a wrist strap or by simply touching the computer chassis or other grounded object to eliminate any stored static charge.

Contact us immediately if any components are missing or damaged.

### Installing the software

Refer to the MCC DAQ Quick Start for instructions on installing the software on the MCC DAQ CD. Refer to the device product page on the Measurement Computing website for information about the included and optional software supported by the USB-1608FS-Plus.

#### **Install the software before you install your device**

The driver needed to run the USB-1608FS-Plus is installed with the software. Therefore, you need to install the software package you plan to use before you install the hardware.

For operation on a Windows operating system, we recommend that you run Windows Update to update your operating system with the latest USB drivers.

### Installing the hardware

To connect the USB-1608FS-Plus to your system, connect the USB cable to an available USB port on the computer or to an external USB hub connected to the computer. Connect the other end of the USB cable to the USB connector on the device. No external power is required.

When connected for the first time, a **Found New Hardware** dialog opens when the operating system detects the device. When the dialog closes, the installation is complete. The LED on the USB-1608FS-Plus turns on after the device is successfully installed.

**If the LED turns off**

If communication is lost between the device and the computer, the device LED turns off. To restore communication, disconnect the USB cable from the computer and then reconnect it. This should restore communication, and the LED should turn on.

**Calibrating the hardware**

The Measurement Computing Manufacturing Test department performs the initial factory calibration. Return the device to Measurement Computing Corporation when calibration is required. The recommended calibration interval is one year.

The USB-1608FS-Plus does not support field calibration.



---

## Functional Details

### Analog input modes

The USB-1608FS-Plus can acquire analog input data in three modes – software paced, hardware paced, and BURSTIO.

#### Software paced

You can acquire one analog sample at a time in software-paced mode. You initiate the A/D conversion by calling a software command. The analog value is converted to digital data and returned to the computer. You can repeat this procedure until you have the total number of samples that you want.

The USB-1608FS-Plus can attain throughput rates up to 500 S/s using a software loop. This rate is system-dependent.

#### Hardware paced

The USB-1608FS-Plus can acquire data from up to eight channels simultaneously in hardware-paced mode. The analog data is acquired, converted to digital values, and written to an onboard FIFO buffer on the device until you stop the scan. Data is transferred in blocks from the device to the memory buffer on your computer.

The A/D converter is paced by either an internal or external clock source.

The maximum sampling rate is an aggregate rate. The total sample rate using hardware-paced mode is 400 kS/s divided by the number of channels, with a maximum rate of 100 kS/s for any channel. You can acquire data from one to four channels at 100 kS/s each, six channels at 66.7 kS/s each, and so on, up to eight channels at 50 kS/s each. You can start a hardware-paced scan with a software command. Optionally, hardware-paced scans can be delayed by an external hardware trigger event.

#### BURSTIO

When using BURSTIO, the USB-1608FS-Plus can acquire data at a higher rate using the full capacity of the 32 kilosample FIFO. The acquired data is read from the FIFO and transferred to a user buffer in the computer after the acquisition is complete. You can initiate a single acquisition sequence of one to eight channels with a software command. Optionally, BURSTIO scans can be delayed by an external hardware trigger event.

When BURSTIO is enabled, the number of samples acquired in a scan is limited to the depth of the onboard memory. The maximum sample rate in BURSTIO mode is an aggregate rate of 800 kS/s. The maximum per channel sample rate is 100 kS/s for any or all channels.

## External components

The external components – screw terminal banks, LED, and USB connector –are shown in Figure 2.

- Screw terminals
- LED
- USB connector



- |   |                              |   |                             |
|---|------------------------------|---|-----------------------------|
| 1 | Screw terminal pins 21 to 40 | 3 | Screw terminal pins 1 to 20 |
| 2 | LED                          | 4 | USB connector               |

Figure 2. USB-1608FS-Plus components

### USB connector

Receives the supplied USB cable. When connected to a computer or USB hub, the cable provides +5 V power and communication. No external power supply is required.

### LED

The LED indicates the communication status; it cannot be disabled.

#### LED behavior

LED state	Indication
On – steady green	The device is connected to a computer or external USB hub.
Blinks once	A USB command is received.
Blinks continuously	An analog input scan is in progress.

### Screw terminals

The screw terminals provide the following connections:

- Eight analog inputs (**CH0 IN** to **CH7 IN**)
- Eight digital I/O lines(**DIO0** to **DIO7**)
- One external event counter input (**CTR**)
- One SYNC I/O terminal for external clocking and multi-unit synchronization (**SYNC**)
- One external trigger input (**TRIG\_IN**)
- One power output (**PC+5 V**)
- 11 analog ground (**AGND**) and eight digital ground (**GND**) connections

Use 16 AWG to 30 AWG wire when making connections to the screw terminals. Pinout locations are shown in Figure 3.

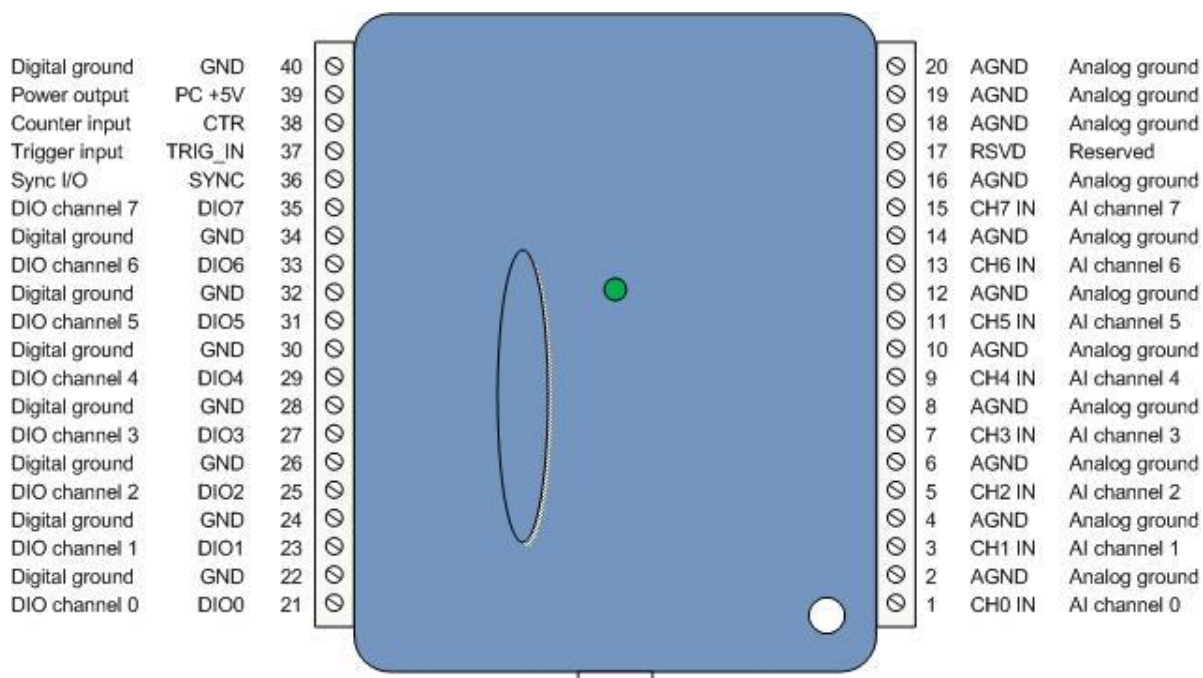


Figure 3. Screw terminal pinout

## Signal connections

### Analog input

You can connect up to eight analog input connections to the screw terminal containing pins 1 to 20 (**CH0 IN** through **CH7 IN**.) Connect unused analog input terminals to ground terminals during operation. For example, if you are not using terminal 15 (**CH7 IN**), connect this terminal to terminal 16 (**AGND**).

All analog input channels are configured for single-ended input mode. All analog input signals are referenced to ground (**AGND**):

- Connect the wire carrying the signal to be measured to **CH# IN**.
- Connect the second wire to **AGND**.

The input voltage ranges are  $\pm 10$  V,  $\pm 5$  V,  $\pm 2.0$  V,  $\pm 1.0$  V.

#### For more information on analog signal connections

For more information on single-ended inputs, refer to the *Guide to Signal Connections* (this document is available on our web site at [www.mccdaq.com/pdfs/DAQ-Signal-Connections.pdf](http://www.mccdaq.com/pdfs/DAQ-Signal-Connections.pdf)).

### Channel-Gain queue

The channel-gain queue feature allows you to configure a different gain setting for each channel. The gain settings are stored in a channel-gain queue list that is written to local memory on the device.

The channel-gain queue list can contain up to eight unique elements. The channel list must be in increasing order. An example of a five element list is shown in the table below.

Sample channel-gain queue list

Element	Channel	Range
0	CH0	BIP1V
1	CH2	BIP2V
2	CH4	BIP10V
3	CH6	BIP1V
4	CH7	BIP5V

Carefully match the gain to the expected voltage range on the associated channel or an over range condition may occur. Although this condition does not damage the device, it does produce a useless full-scale reading, and can introduce a long recovery time due to saturation of the input channel.

## Digital I/O

You can connect up to eight digital I/O lines to **DIO0** through **DIO7**. Each digital channel is individually configurable for input or output. During initial power on or reset the digital pins are set for input.

The digital I/O terminals can detect the state of any TTL-level input. Refer to the schematic shown in Figure 4.

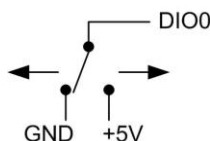


Figure 4. Schematic showing switch detection by digital channel DIO0

If you set the switch to the +5 V input, DIO0 reads *TRUE* (1). When set to GND, DIO0 reads *FALSE* (0).

### Pull-up/down configuration

All digital I/O lines are pulled up to USB +5V (HI) with a 47 kΩ resistor (default). You can change the pull-up/down configuration using the internal jumper labeled **DIO**. You must remove the device housing to access the jumper on the circuit board.

To set the jumper for pull-up or pull-down, complete the following steps.

1. Unplug the device from the computer.
2. Turn the device over and rest the top of the housing on a flat, stable surface.

**Caution!** The discharge of static electricity can damage some electronic components. Before removing the USB-1608FS-Plus from its housing, ground yourself using a wrist strap or touch the computer chassis or other grounded object to eliminate any stored static charge.

3. Remove the three screws from the bottom of the device using a #1 Philips head screwdriver.
4. Hold both the top and bottom sections together, turn the device over and rest it on the surface, then carefully remove the top section of the case to expose the circuit board.

Figure 5 shows the location of the **DIO** jumper on the circuit board.



Figure 5. Pull-up/down jumper location

5. Configure the jumper for pull-up or pull-down, as shown in Figure 6.

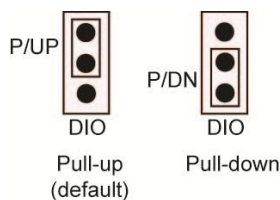


Figure 6. Pull-up/down jumper configuration

6. Replace the top section of the housing, and fasten it to the bottom section with the three screws.

**For more information on digital signal connections**

For general information regarding digital signal connections and digital I/O techniques, refer to the *Guide to Signal Connections* (available on our web site at [www.mccdaq.com/pdfs/DAQ-Signal-Connections.pdf](http://www.mccdaq.com/pdfs/DAQ-Signal-Connections.pdf)).

## Counter input

The **CTR** terminal is a 32-bit event counter that can accept frequency inputs up to 1 MHz. The internal counter increments when the TTL levels transition from low to high.

## SYNC I/O

The **SYNC** terminal is a bidirectional I/O signal that can be configured as an input (default) or an output.

- Configure as an external clock input to pace the A/D conversions from an external source. The SYNC terminal supports TTL-level input signals of up to 100 kHz.
- Configure as an output that may be used to pace conversions on a second device and acquire data from 16 channels. Refer to page 15 for more information about synchronized operations.

## Trigger input

The **TRIG\_IN** terminal is an external digital trigger input. The trigger mode is software-selectable for edge or level sensitive. Edge sensitive mode is selectable for rising or falling. Level sensitive mode is selectable for high or low.

## Reserved

The **RSVD** terminal is reserved for future use.

## Ground

The analog ground (**AGND**) terminals provide a common ground for all analog channels.

The digital ground (**GND**) terminals provide a common ground for the digital, trigger, counter, and sync channels and the power terminal.

## Power output

The **PC +5V** output terminal can output up to 200 mA maximum. You can use this terminal to supply power to external devices or circuitry.

**Caution!** The PC +5V terminal is an output. Do not connect it to an external power supply or you may damage the device and possibly the computer.

The maximum output current that can be drawn by the USB-1608FS-Plus is 500 mA. This maximum applies to most personal computers and self-powered USB hubs. Bus-powered hubs and notebook computers may limit the maximum available output current to 100 mA. If the current requirement of the device exceeds the current available from the computer, connect to a self-powered hub or power the computer with an external power adapter.

When running applications with the device, each DIO bit can source up to 24 mA. The total amount of current that can be sourced from the PC +5V, SYNC, and digital outputs is 200 mA max.

## Accuracy

The overall accuracy of any instrument is limited by the error components within the system. Resolution is often used incorrectly to quantify the performance of a measurement product. While "16-bits" or "1 part in 65,536" does indicate what can be resolved, it provides little insight into the quality, or accuracy, of an absolute measurement. Accuracy specifications describe the actual measurement achievable with a USB-1608FS-Plus. [Accuracy](#) specifications are listed on page 17.

There are three types of errors which affect the accuracy of a measurement system:

- offset
- gain
- nonlinearity

The primary error sources in a USB-1608FS-Plus are offset and gain. Nonlinearity is small, and is not significant as an error source with respect to offset and gain.

Figure 7 shows an ideal, error-free transfer function. The typical calibrated accuracy of a USB-1608FS-Plus is range-dependent. We use a  $\pm 10$  V range as an example of what you can expect when performing a measurement in this range.

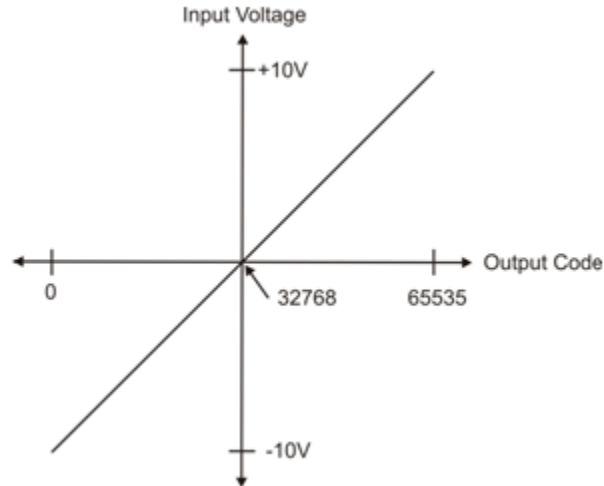


Figure 7. Ideal ADC transfer function

The offset error is measured at mid-scale. Ideally, a zero volt input should produce an output code of 32,768. Any deviation from this is an offset error. Figure 8 shows the transfer function with an offset error. The typical offset error specification for a USB-1608FS-Plus on the  $\pm 10$  V range is  $\pm 1.66$  mV. Offset error affects all codes equally by shifting the entire transfer function up or down along the input voltage axis.

The accuracy plots in Figure 8 are drawn for clarity and are not drawn to scale.

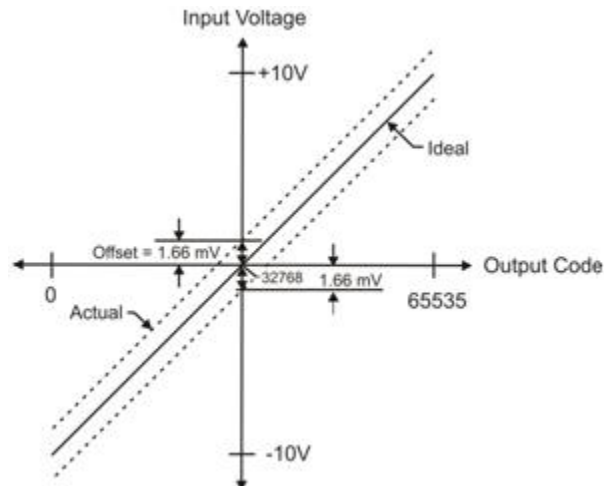


Figure 8. ADC transfer function with offset error

Gain error is a change in the slope of the transfer function from the ideal, and is typically expressed as a percentage of full-scale. Figure 9 shows the USB-1608FS-Plus transfer function with gain error. Gain error is easily converted to voltage by multiplying the full-scale input ( $\pm 10$  V) by the error.

The accuracy plots in Figure 9 are drawn for clarity and are not drawn to scale.

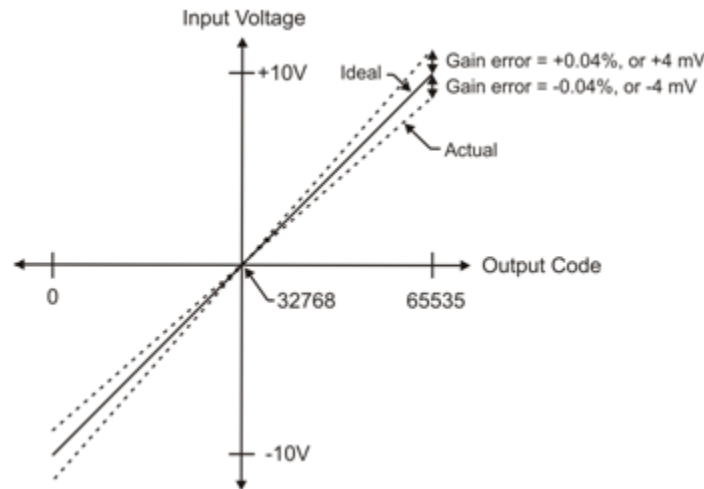


Figure 9. ADC Transfer function with gain error

For example, a USB-1608FS-Plus exhibits a typical calibrated gain error of  $\pm 0.04\%$  on all ranges. For the  $\pm 10\text{ V}$  range, this would yield  $10\text{ V} \times \pm 0.0002 = \pm 4\text{ mV}$ . This means that at full scale, neglecting the effect of offset for the moment, the measurement would be within 4 mV of the actual value. Note that gain error is expressed as a ratio. Values near  $\pm\text{FS}$  ( $\pm 10\text{ V}$ ) are more affected from an absolute voltage standpoint than are values near mid-scale, which see little or no voltage error.

Combining these two error sources in Figure 10, we have a plot of the error band at  $\pm$ full scale ( $\pm 10\text{ V}$ ). This plot is a graphical version of the typical accuracy specification of the product.

The accuracy plots in Figure 10 are drawn for clarity and are not drawn to scale.

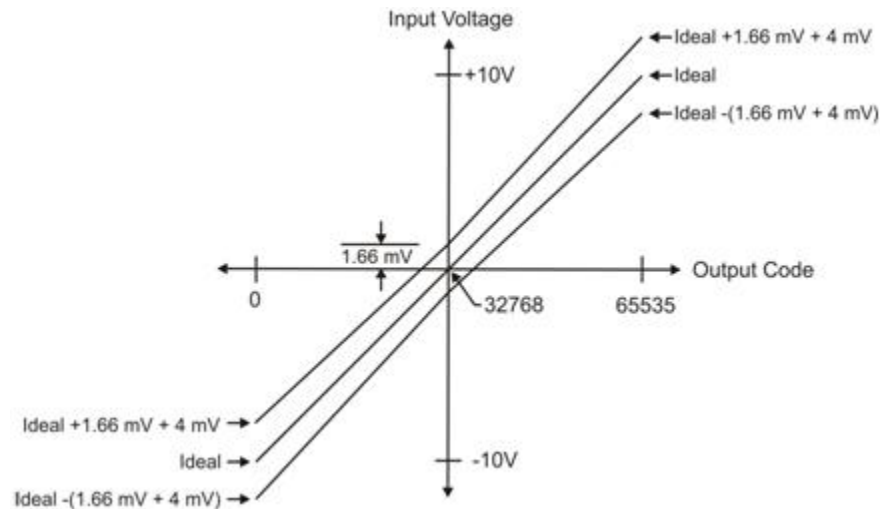


Figure 10. Error band plot

## Synchronized operations

You can connect the SYNC pin of multiple devices together in a master/slave configuration and acquire data from the analog inputs of all devices using one clock.

When the SYNC pin is configured as an output, the internal A/D pacer clock signal is sent to the screw terminal. You can output the clock to the SYNC pin of another device that is configured for A/D pacer input.



### Mechanical drawings

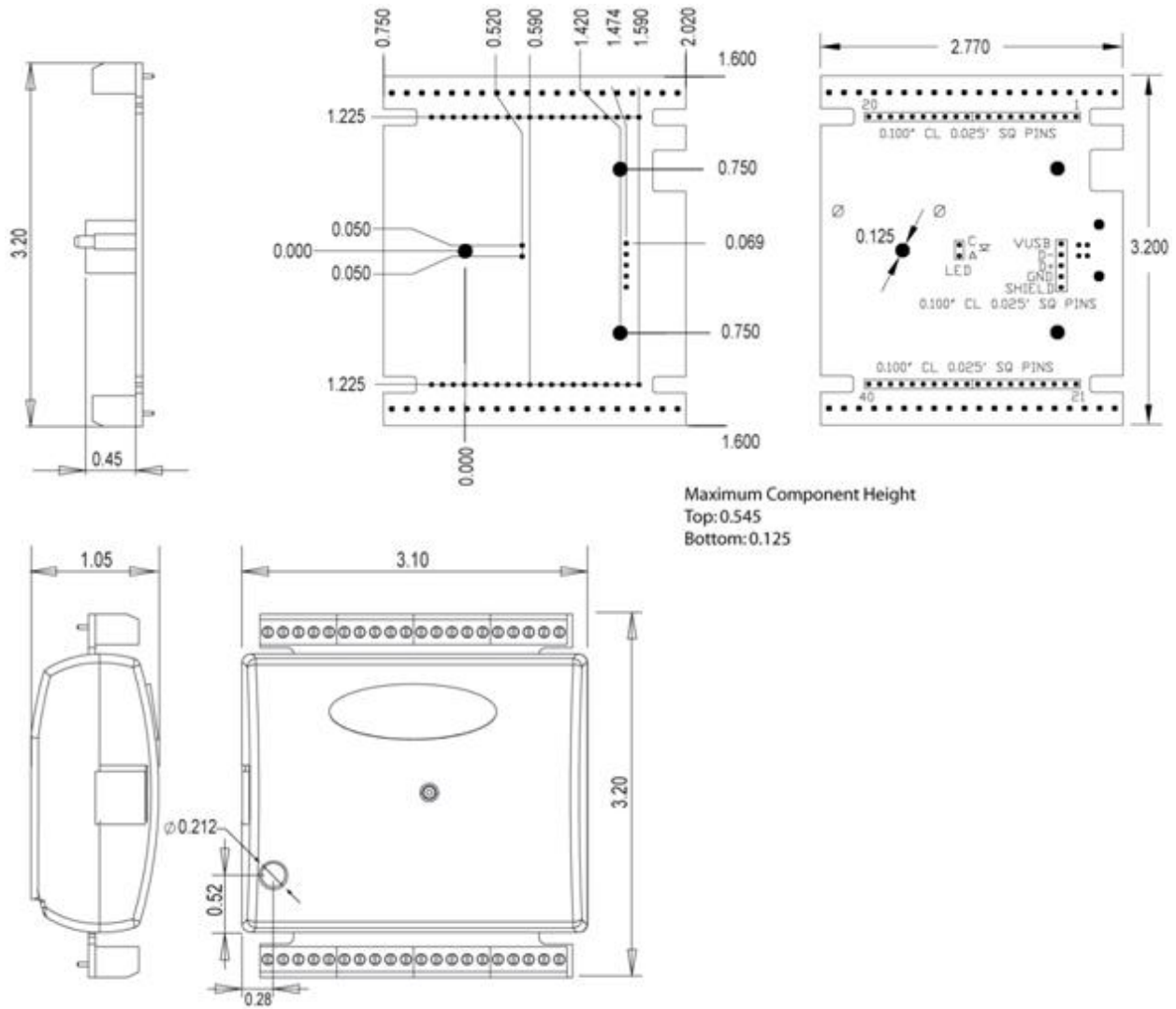


Figure 11. USB-1608FS-Plus circuit board (top) and enclosure dimensions



**Chapter 4****Specifications**

All specifications are subject to change without notice.

Typical for 25°C unless otherwise specified.

Specifications in *italic text* are guaranteed by design.

**Analog input**

Table 1. General analog input specifications

Parameter	Condition	Specification
A/D converter type		16-bit successive approximation type
Number of channels		8 single-ended
Input configuration		Individual A/D per channel
Sampling method		Simultaneous
<i>Absolute maximum input voltage</i>	<i>CHx IN relative to GND</i>	<i>±15 V max</i>
Input impedance		100 MΩ min
Input ranges	Software-selectable per channel	±10 V, ±5 V, ±2 V, ±1 V
Sampling rate	Hardware paced	0.01 S/s to 100 kS/s, software-selectable
Throughput	Software paced	500 S/s all channels
	Hardware paced (Note 1)	(400 kS/s) / (# of channels) max, 100 kS/s max for any channel
	BURSTIO ≤ 32,768 total samples (uses onboard FIFO)	(800 kS/s) / (# of channels) max, 100 kS/s max for any channel
Gain queue		Software configurable. Up to eight elements – one gain element per unique, ordered channel.
Resolution		16 bits
<i>No missing codes</i>		<i>16 bits</i>
Crosstalk	Signal DC to 25 kHz	-80 dB
Trigger source	Software-selectable	External digital: TRIG_IN

**Note 1:** Maximum throughput when scanning in hardware paced mode is machine dependent.

**Accuracy****Analog input DC voltage measurement accuracy**

Table 2. Calibrated absolute accuracy

Range	Accuracy (mV)
±10 V	5.66
±5 V	2.98
±2 V	1.31
±1 V	0.68

Table 3. Accuracy components - All values are ( $\pm$ )

Range	Gain error (% of Reading)	Gain error at FS (mV)	Offset (mV)
$\pm 10$ V	0.04	4.00	1.66
$\pm 5$ V	0.04	2.00	0.98
$\pm 2$ V	0.04	0.80	0.51
$\pm 1$ V	0.04	0.40	0.28

## Noise performance

Table 4. Noise performance

Range	Typical counts	LSBrms
$\pm 10$ V	10	1.52
$\pm 5$ V	10	1.52
$\pm 2$ V	11	1.67
$\pm 1$ V	14	2.12

Table 4 summarizes the noise performance for the USB-1608FS-Plus. Noise distribution is determined by gathering 50 K samples with inputs tied to ground at the user connector. Samples are gathered at the maximum specified sampling rate of 100 kS/s.

## Digital input/output

Table 5. Digital I/O specifications

Parameter	Specification
Digital type	5V TTL
Number of I/O	8 (DIO0 through DIO7)
Configuration	Independently configured for input or output
Pull-up/pull-down configuration	All pins pulled up to 5V via 47 K resistors (default). May be changed to pull-down using an internal jumper.
Input high voltage threshold	2.0 V min
Input high voltage limit	5.5 V absolute max
Input low voltage threshold	0.8 V max
Input low voltage limit	-0.5 V absolute min 0 V recommended min
Output high voltage	4.4 V min (IOH = -50 $\mu$ A) 3.76 V min (IOH = -24 mA)
Output low voltage	0.1 V max (IOL = 50 $\mu$ A) 0.44 V max (IOL = 24 mA)
Power on and reset state	Input

## External trigger

Table 6. External trigger specifications

Parameter	Condition	Specification
Trigger source	External digital	TRIG_IN
Trigger mode	Software-selectable	Edge or level sensitive: user configurable for CMOS compatible rising or falling edge, high or low level.
Trigger latency		2 $\mu$ s + 1 pacer clock cycle max
Trigger pulse width		1 $\mu$ s min
Input type		Schmitt trigger, 47 k $\Omega$ pull-down to ground
Schmitt trigger hysteresis		1.01 V typ 0.6 V min 1.5 V max
Input high voltage threshold		2.43 V typ 1.9 V min 3.1V max
Input high voltage limit		5.5 V absolute max
Input low voltage threshold		1.42 V typ 1.0 V min 2.0 V max
Input low voltage limit		-0.5 V absolute min 0 V recommended min

## External clock input/output

Table 7. External clock I/O specifications

Parameter	Condition	Specification
Pin name		SYNC
Pin type		Bidirectional
Direction, software-selectable	Input	Receives A/D pacer clock from external source
	Output	Outputs internal A/D pacer clock
Input clock rate		100 kHz, max
Clock pulse width	Input	1 $\mu$ s min
	Output	4 $\mu$ s min
Input clock mode		Edge sensitive, rising
Input type		Schmitt trigger, 47 k $\Omega$ pull-down to ground
Schmitt trigger hysteresis		1.01 V typ 0.6 V min 1.5 V max
Input high voltage threshold		2.43 V typ 1.9 V min 3.1V max
Input high voltage limit		5.5 V absolute max
Input low voltage threshold		1.42 V typ 1.0 V min 2.0 V max
Input low voltage limit		-0.5 V absolute min 0 V recommended min
Output high voltage		4.4 V min (IOH = -50 $\mu$ A) 3.80 V min (IOH = -8 mA)
Output low voltage		0.1 V max (IOL = 50 $\mu$ A) 0.44 V max (IOL = 8 mA)

## Counter section

Table 8. Counter specifications

Parameter	Specification
Pin name	CTR
Counter type	Event counter
Number of channels	1
Input type	Schmitt trigger, 47 k $\Omega$ pull-down to ground
Input source	CTR screw terminal
Resolution	32 bits
Schmitt trigger hysteresis	1.01 V typ 0.6 V min 1.5 V max
Input high voltage threshold	2.43 V typ 1.9 V min 3.1V max
Input high voltage limit	5.5 V absolute max
Input low voltage threshold	1.42 V typ 1.0 V min 2.0 V max
Input low voltage limit	-0.5 V absolute min 0 V recommended min
Input frequency	1 MHz max
<i>High pulse width</i>	<i>500 ns min</i>
<i>Low pulse width</i>	<i>500 ns min</i>

## Memory

Table 9. Memory specifications

Parameter	Specification
Data FIFO	32,768 samples, 65,536 bytes
EEPROM	2,048 bytes (768 bytes calibration, 256 bytes user, 1,024 bytes DAQFlex)

## Microcontroller

Table 10. Microcontroller specifications

Parameter	Specification
<i>Type</i>	<i>High performance 32-bit RISC microcontroller</i>

## Power

Table 11. Power specifications

Parameter	Condition	Specification
Supply current	USB enumeration	< 100 mA
Supply current	Including DIO and SYNC output loading	< 500 mA
+5V power available (Note 2)	Connected to externally-powered root port hub or a self-powered hub	4.5 V min, 5.25 V max
Output current (Note 3)		200 mA max

**Note 2:** "Self-powered hub" refers to a USB hub with an external power supply. Self-powered hubs allow a connected USB device to draw up to 500 mA. "Root port hubs" reside in the PC USB host Controller. The USB port(s) on your PC are root port hubs. All externally-powered root port hubs, such as a desktop PC, provide up to 500 mA of current for a USB device. Battery-powered root port hubs provide 100 mA or 500 mA, depending upon the manufacturer. A laptop PC that is not connected to an external power adapter is an example of a battery-powered root port hub. If your laptop PC is constrained to the 100 mA maximum, you need to purchase a self-powered hub.

**Note 3:** Output current is the total amount of current that can be sourced from the PC +5V, SYNC, and digital outputs.

## General

Table 12. General specifications

Parameter	Specification
Device type	USB 2.0 (full-speed)
Device compatibility	USB 1.1, USB 2.0

## Environmental

Table 13. Environmental specifications

Parameter	Specification
Operating temperature range	0 °C to 70 °C
Storage temperature range	-40 °C to 70 °C
Humidity	0% to 90% non-condensing

## Mechanical

Table 14. Mechanical specifications

Parameter	Specification
Dimensions (L × W × H)	79 × 82 × 27 mm (3.10 × 3.20 × 1.05 in.)
USB cable length	3 m (9.84 ft) max
User connection length	3 m (9.84 ft) max

## Screw terminal connector and pinout

Table 15. Connector specifications

Parameter	Specification
Connector type	Screw terminal
Wire gauge range	16 AWG to 30 AWG

Table 16. Connector pinout

Pin	Signal Name	Pin	Signal Name
1	CH0 IN	21	DIO0
2	AGND	22	GND
3	CH1 IN	23	DIO1
4	AGND	24	GND
5	CH2 IN	25	DIO2
6	AGND	26	GND
7	CH3 IN	27	DIO3
8	AGND	28	GND
9	CH4 IN	29	DIO4
10	AGND	30	GND
11	CH5 IN	31	DIO5
12	AGND	32	GND
13	CH6 IN	33	DIO6
14	AGND	34	GND
15	CH7 IN	35	DIO7
16	AGND	36	SYNC
17	RSVD	37	TRIG_IN
18	AGND	38	CTR
19	AGND	39	PC +5V
20	AGND	40	GND

# CE Declaration of Conformity

Manufacturer: Measurement Computing Corporation  
Address: 10 Commerce Way  
Suite 1008  
Norton, MA 02766  
USA  
Category: Electrical equipment for measurement, control and laboratory use.

Measurement Computing Corporation declares under sole responsibility that the product

## **USB-1608FS-Plus**

to which this declaration relates is in conformity with the relevant provisions of the following standards or other documents:

EC EMC Directive 2004/108/EC: General Requirements, EN 61326-1:2006 (IEC 61326-1:2005).

Emissions:

- EN 55011 (2007) / CISPR 11(2003): Radiated emissions: Group 1, Class A
- EN 55011 (2007) / CISPR 11(2003): Conducted emissions: Group 1, Class A

Immunity: EN 61326-1:2006, Table 3.

- IEC 61000-4-2 (2001): Electrostatic Discharge immunity.
- IEC 61000-4-3 (2002): Radiated Electromagnetic Field immunity.

To maintain compliance to the standards of this declaration, the following conditions must be met.

- The host computer, peripheral equipment, power sources, and expansion hardware must be CE compliant.
- All I/O cables must be shielded, with the shields connected to ground.
- I/O cables must be less than 3 meters (9.75 feet) in length.
- The host computer must be properly grounded.
- The host computer must be USB 2.0 compliant.
- Equipment must be operated in a controlled electromagnetic environment as defined by Standards EN 61326-1:2006, or IEC 61326-1:2005.

Note: Data acquisition equipment may exhibit noise or increased offsets when exposed to high RF fields (>1V/m) or transients.

Declaration of Conformity based on tests conducted by Chomerics Test Services, Woburn, MA 01801, USA in September, 2011. Test records are outlined in Chomerics Test Report #EMI5948.11. Further testing was conducted by Chomerics Test Services, Woburn, MA. 01801, USA in December, 2011. Test records are outlined in Chomerics Test Report #EMI5996.11.

We hereby declare that the equipment specified conforms to the above Directives and Standards.



Carl Haapaoja, Director of Quality Assurance

**Measurement Computing Corporation**  
**10 Commerce Way**  
**Norton, Massachusetts 02766**  
**(508) 946-5100**  
**Fax: (508) 946-9500**  
**E-mail: [info@mccdaq.com](mailto:info@mccdaq.com)**  
**[www.mccdaq.com](http://www.mccdaq.com)**

**NI Hungary Kft**  
**H-4031 Debrecen, Hátar út 1/A, Hungary**  
**Phone: +36 (52) 515400**  
**Fax: +36 (52) 515414**  
**<http://hungary.ni.com/debrecen>**